

# TopSolid' *Electrode*



## Swift **electrode** creation

- Automatic creation of electrode geometry
- Prolongation of drafts if required
- Offsets for electrical discharge gaps
- Reliable collision detection thanks to a stable environment
- Direct link to manufacturing
- Rapid creation of precise drawings for the shop floor
- Transfer of measurements to be verified
- Productivity gains of around 30%

The Integrated CAD/CAM Solution

[www.topsolid.com](http://www.topsolid.com)

 **Missler**  
SOFTWARE

# TopSolid'Electrode

## Time savings in electrode design

When tools have been designed in 3D it is often necessary to design and manufacture dozens of electrodes. These repetitive and tedious operations add little value to the product itself. TopSolid'Electrode allows designers to quickly create electrodes. TopSolid'Wire enables rapid calculation of tool paths for wire EDM machines. These solutions enable precious time savings and increased process safety, forming an indispensable supplement for CAD/CAM environments.

### Data retrieval

- IGES, DXF, Catia, STEP, SAT, Parasolid
- Integrated surface and volume modeler

### Calculation of gaps and prolongation of surfaces

- Electrical discharge gap during semi-finishing or finishing
- Automatic tangential prolongation of surfaces
- Easy modification
- Control of several drafts

### Standard and customized fixtures

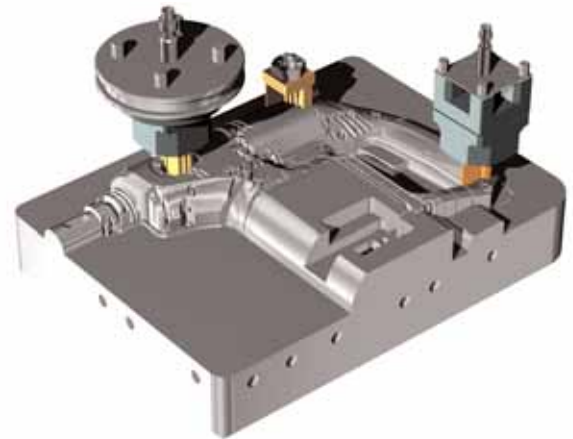
- Libraries included: EROVIA, System 3R
- Creation of special fixtures

### Manufacturing dimensions for electrodes

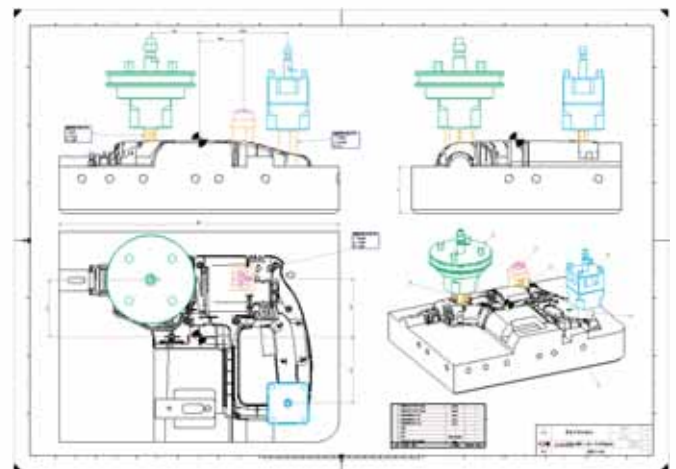
- XYZ values for cavities
- Information about quantities and settings
- Test data for the measuring machine
- Creation of specific drawings

### Possibility of integration with TopSolid'Cam and TopSolid'Wire

- Special CAM solutions
- Optimized and adapted post processors
- Associative geometry



TopSolid'Electrode allows designers to automate tedious and repetitive operations in electrode design.



Thanks to industry-specific drawing creation the workshop is equipped with precise drawings that are ready for manufacturing.

### About Missler Software

Missler Software is the second largest French supplier of CAD, CAM, ERP and PDM solutions. The company's product lines include TopSolid, TopManufacturing and GOelan. Missler Software originated from the merger of Missler Informatique, TopCad, Catalpa and CN Industries. As a result, Missler's product portfolio includes comprehensive modern software solutions for the mechanical engineering industry (general mechanical design, special machinery, tooling, boilerwork, ...) and for sheet metal and wood industries. Companies around the world are using TopSolid solutions - the export share of this product line amounts to more than 60%.

### Missler Software

7, rue du Bois Sauvage - 91055 Evry, France  
Tel: +33 (0)1 60 87 20 20 - Fax: +33 (0)1 60 87 20 18  
E-mail: international@topsolid.com